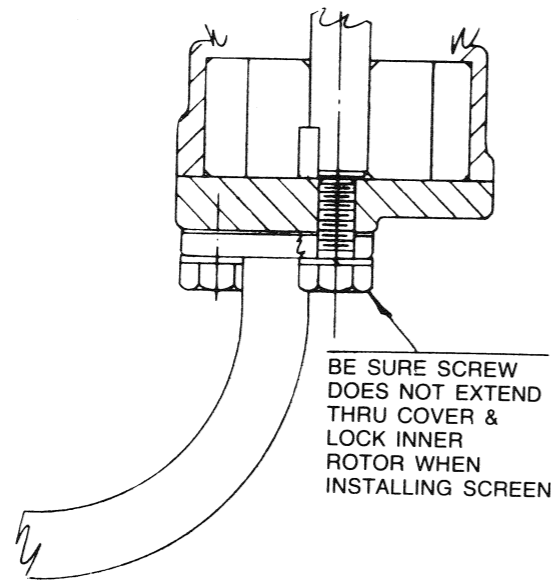


M65028

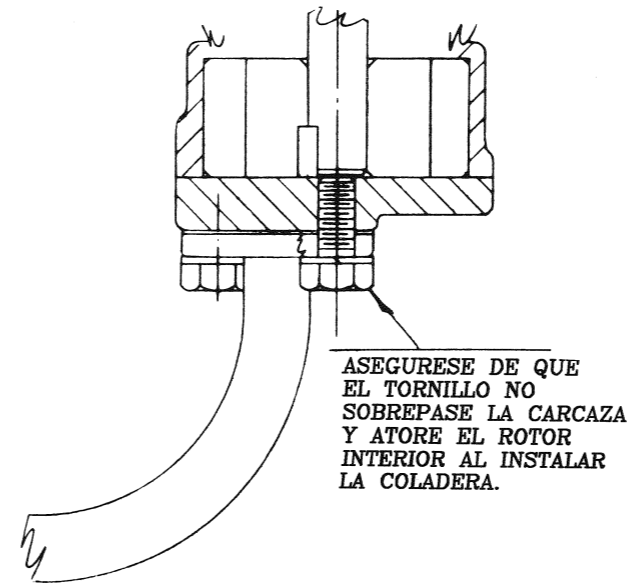
SCREEN ASSEMBLY
INSTALLATION PRECAUTION

FALCON-COMET-FAIRLANE
6 CYLINDER OIL PUMP




FRONT

PRECAUCION AL INSTALAR
LA COLADERA



BACK

SHEET SIZE - 4-1/4" x 5-1/2"
PAPER COLOR: WHITE
PRINT FRONT AND BACK

A	9/24/98	SPANISH VERSION ADDED	1960
LTR.	DATE	REVISIONS	ECN #
MELLING TOOL COMPANY			
		ENGINE COMPONENTS PRODUCT ENGINEERING	
PROJ. FORMS	SHT. 1 OF 1		
DRAWN BY	COMPLETED	CHECKED	APPROVED
KML	9/24/98	RGJ	9-23-98
NAME			
SHEET-CAUTION INSTRUCTION			
PART NO.			
M65028			